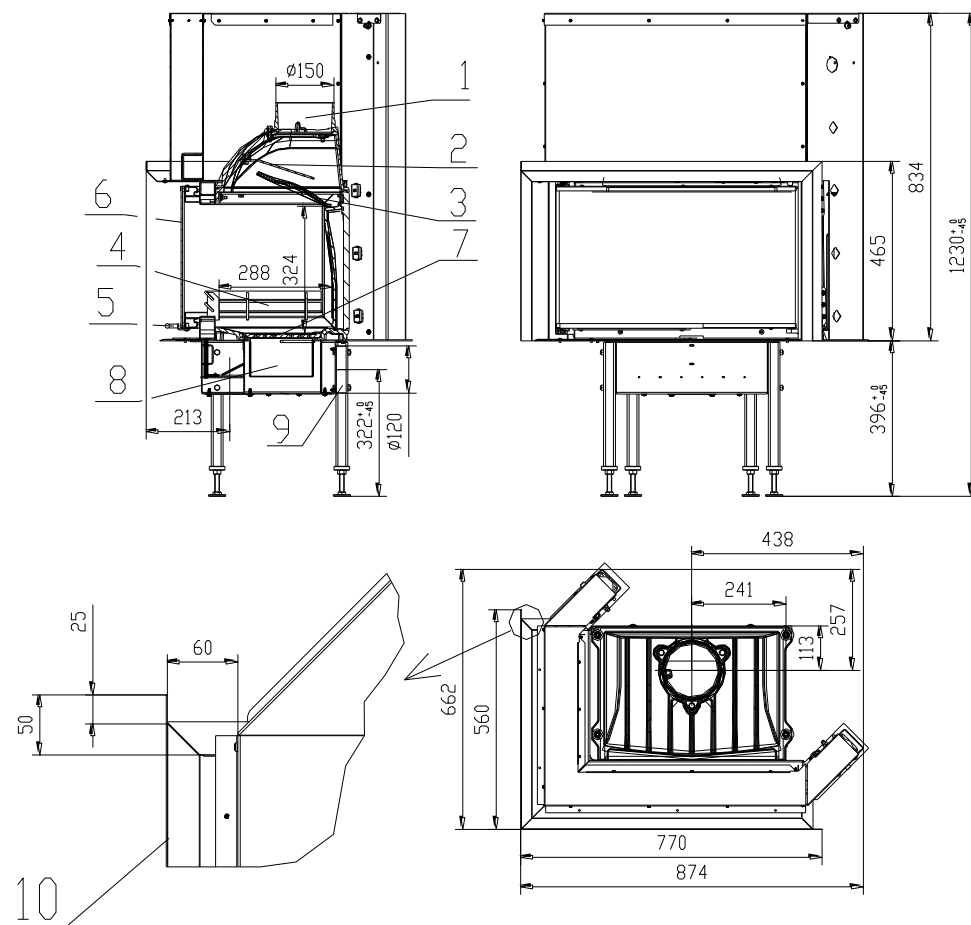


FIREPLACE INSERT START V6CL in accordance with EN 13 229 – W

Schema:

Description:



- 1** Flue bellmouth
- 2** Deflector
- 3** Deflector
- 4** Secondary chamber
- 5** Inlet regulation
- 6** Glass
- 7** Grate
- 8** Ash Tray
- 9** External air input Ø120mm
- 10** Frame

Technical data:

Nominal heat output	kW	8
Efficiency	%	77
Volume flow of combustion products	g/s	7,5
Flue-gas temperature	°C	325,2
Min. feed pressure at nom. heat output	Pa	10
Fuel		Wood (beech logs)
Fuel consumption per hour	kg/h	2,4
CO emission in burnt gas (in relation to 13% O2) %		0,23
Smoke flue diameter	mm	150
Weight	kg	90

BeF Home, s.r.o.

Kotvrdovice 277

679 07 Kotvrdovice

IČO: 25524682

BêF

home



10

Type: **START 6**

Version: **6, V6, 6CP, 6CL, 6C, V6CL, V6CP, V6C**

Test number: **30-10793**

Notified person: **1015 EN 13229**

Heat output: **8W capacity for heating**

Efficiency: **77%**

CO emission in burnt gas (in relation to 13% O2): **0,23%**

Burnt gas temperature:: 325°C

Distance from adjacent combustibile materials: 8cm + 10cm thermal insulation

Fuel: wood (beech logs)

Wood-burning fireplace insert for room heating.

Peruse and keep service instructions!

Appliance with short-term combustion process!